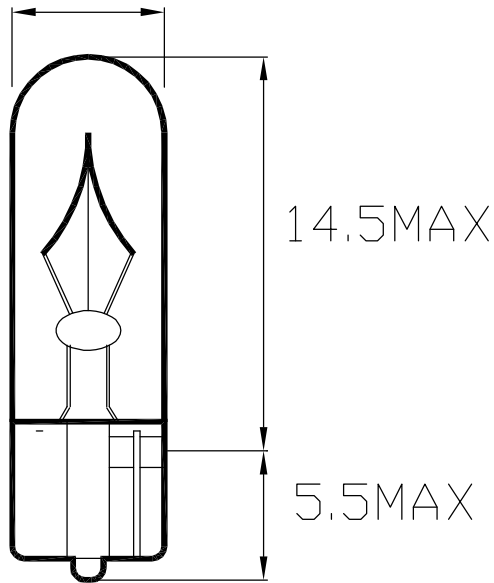


# AUTOMOTIVE LAMP BULBS

$\Phi 5\text{MAX}$



Unit: (MM)

| Part No         | TYPE            | BASE           | SPECIFICATION         | OVERALL LENGTH      | LIGHT CENTER LENGTH | GLASS COLOR |
|-----------------|-----------------|----------------|-----------------------|---------------------|---------------------|-------------|
| HMT0503CL       | T5 WEDGE        | W2*4.6d        | 12V 2W                | 20±1.0              | ---                 | CLEAR       |
| CHARACTERISTICS |                 |                |                       |                     | LAB. LIFE           | MARKING     |
| VOLTS<br>(V)    | CURRENT<br>(MA) | WATTAGE<br>(W) | LUMINOUS FLUX<br>(LM) | AVERAGE LIFE<br>(H) | 12V2W               |             |
| 13.5            | 148±10%         | 2±10%          | 12±25%                | 1000                |                     |             |
|                 |                 |                |                       |                     |                     |             |

|     |    |  |
|-----|----|--|
| 制訂  | 核准 | <h2 style="margin: 0;">HSIN KUANG BULB WORKS CO., LTD.</h2> <p style="margin: 0;">TECHNICAL DEPARTMENT</p> |
| SFY |    |  |